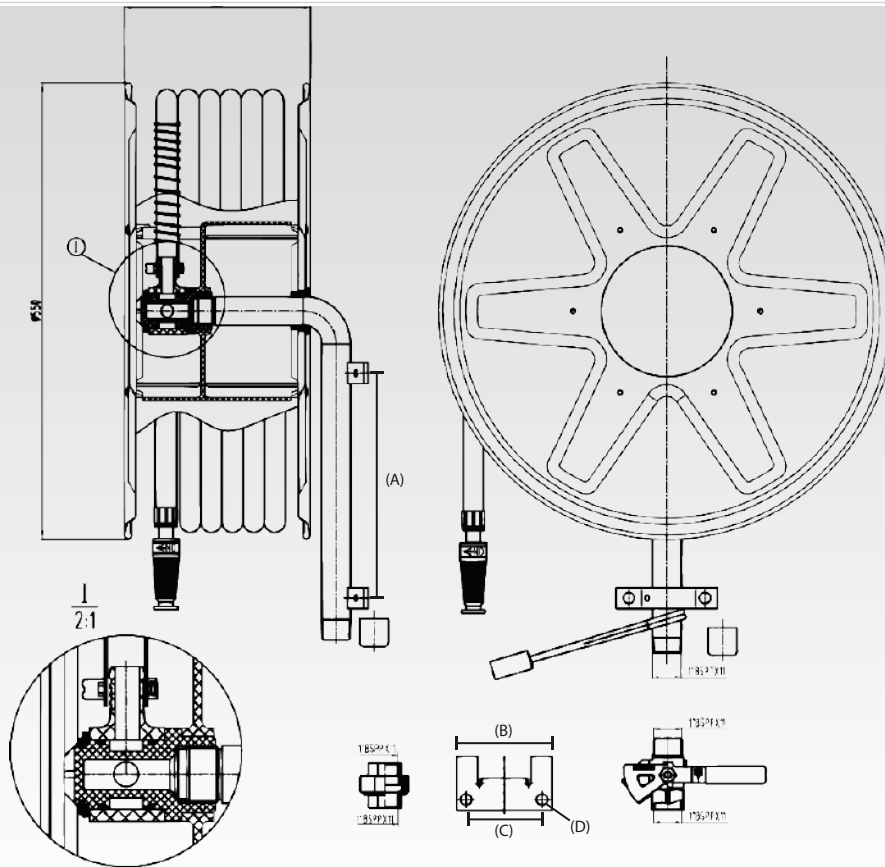


HOSE REEL 36M X 19MM

TECHNICAL DATA SHEET



Part Number

HREELV36-SS

Approvals	AS/NZS 1221:1997
STD Hose Length & Diameter	36m x Ø19mm
Minimum Inlet Pressure	220KPA
Maximum Working Pressure	1350KPA
Front & Back Plates	SUS304 Stainless Steel
Support Assembly	SUS304 Stainless Steel
Guide Arm	SUS304 Stainless Steel
Ball Valve Assembly	Brass, with SS Handle
Pipe	SUS304 Stainless Steel
Nozzle	Twist Action Brass
Gasket	Rubber
Mounting Plate	SUS304 Stainless Steel (B) 113mm (C) 90mm (D) 13mm in diameter
Inlet Pipe / Union	Stainless Steel (A) 265mm
Dimensions	SUS304 W550 x D220 x H550mm
Back Plate to Wall	50mm